



Hammond Power Solutions Inc.

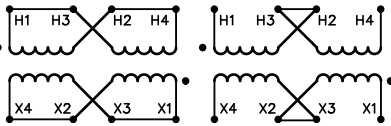


GENERAL PURPOSE TRANSFORMER 252L E50394

GUELPH, ONT. BARABOO, WI COMPTON, CA MONTERREY, MX

HPS FORTRESS™
COMMERCIAL POTTED DISTRIBUTION TRANSFORMER

HV/HT	240V X 480V			Cust. Ref. Réf. du client		
BIL	-			Serial No. No. de série		
TERM. BORNES	H1	H3	H2	H4	Part No. No. de pièce	
					C1F002LES	
					Phase	1
					kVA	2.0
					TYPE	Q
					Cooling Refroidissement	ANC
					Temp. Class Classe de Temp.	180 °C
					Frequency Fréquence	60 Hz
					Impédance % @ 135 °C	4.3
					Encl. Type Type de boîtier	3R
					Wt Poids	lbs/kg 40/19
LV/BT	120V/240V					
BIL	-					
TERM. BORNES	X4	X2	X3	X1		



ELECTROSTATIC SHIELD

400001344



Hammond Power Solutions Inc.

TITLE: 1PH DISTRIBUTION TRANSFORMER
NAMEPLATE INFORMATION

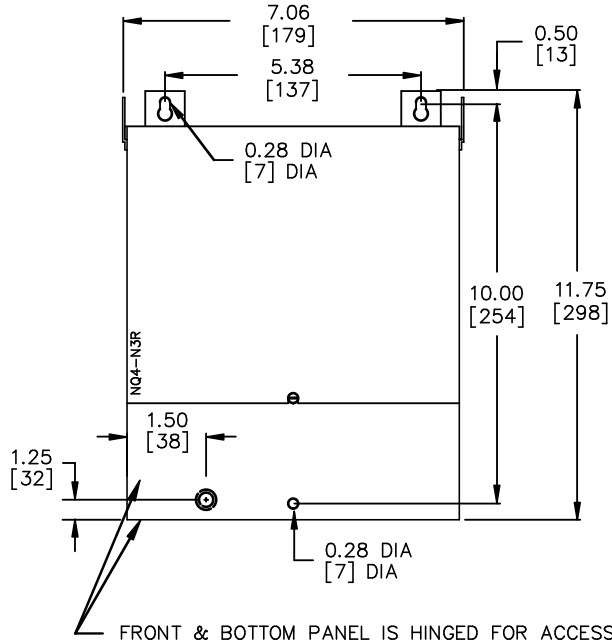
1	21/07/13	PP	EDB UPDATE	DES: LCEN
NO.	DATE	BY	REVISION	SCALE: NTS

SHEET 1 OF 2

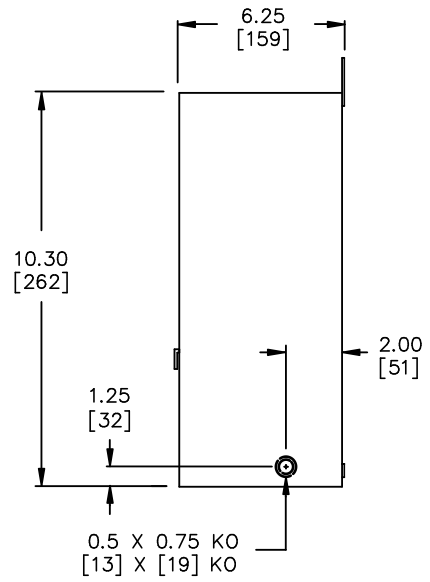
EDBC1F002LES

1.0 Wed 20/07/13 16:57

FRONT VIEW



SIDE VIEW



FRONT & BOTTOM PANEL IS HINGED FOR ACCESS TO TERMINALS, BOTTOM MOUNTING HOLES AND REAR KNOCKOUT.

All Dimensions in inches[mm]

ENCLOSURE COLOR : ANSI 61 GREY – OUTDOOR

CUSTOMER NOTES:

- HV1 TERMINATED AT SEW LEADS
- LV1 TERMINATED AT SEW LEADS



TITLE: 1PH DISTRIBUTION TRANSFORMER

1	21/07/13	PP	EDB UPDATE	DES: LCEN
NO.	DATE	BY	REVISION	SCALE: NTS

SHEET 2 OF 2

EDBC1F002LES

1.0 Wed 20/07/13 16:57