

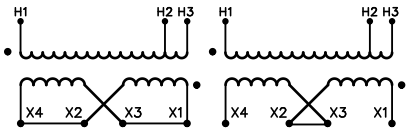


GENERAL PURPOSE TRANSFORMER 252L E50394

GUELPH, ONT. BARABOO, WI COMPTON, CA MONTERREY, MX

COMMERCIAL POTTED DISTRIBUTION TRANSFORMER

HV/HT	347/380V			Cust. Ref. Réf. du client	
BIL	-			Serial No. No. de série	
TERM. BORNES	H1 H2 H3			Part No. No. de pièce	C1F002JES
	VOLTS	CURRENT COURANT	% RATED VOLTAGE % TENSION NOMINALE	CONNECTION EACH PHASE CONNEXION PAR PHASE	Phase
	347 380	6 5.5		H1-H2 H1-H3	1
	120/240V 16.7/8.3A				kVA
LV/BT					2
BIL	-			TYPE	Q
TERM. BORNES	X4 X2 X3 X1			Cooling Refroidissement	ANC
				Temp. Class Classe de Temp.	180 °C
				Frequency Fréquence	50/60Hz
				Impédance % ⊙ °C	
				Encl. Type Type de boîtier	3R
				Wt Poids	lbs/kg 47.6/21.6



ELECTROSTATIC SHIELD



TITLE: 1 PHASE ENCAPSULATED TRANSFORMER NAMEPLATE INFORMATION					
2	26/04/17	MS	UPDATED PER NEW DESIGN	DES:	LCEN
1	21/07/13	PP	EDB UPDATE	DATE:	08/10/17
NO.	DATE	BY	REVISION	SCALE:	NTS

SHEET 1 OF 2
EDBC1F002JES

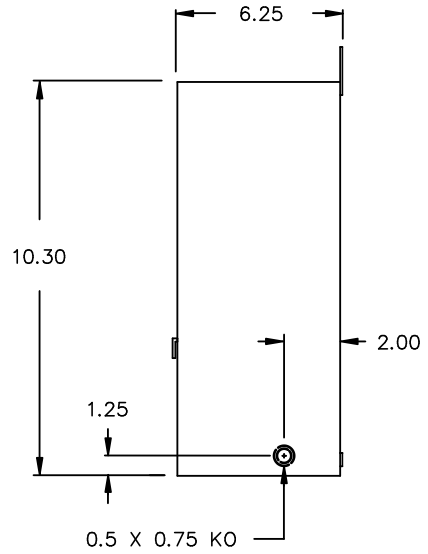
THIS DRAWING CONTAINS STRICTLY CONFIDENTIAL INFORMATION BELONGING TO HAMMOND POWER SOLUTIONS AND MUST NOT BE DISTRIBUTED OUTSIDE AUTHORIZED PARTIES.

2.0 httpd 2026/07/11 19:00

FRONT VIEW



SIDE VIEW



FRONT & BOTTOM PANEL IS HINGED FOR ACCESS TO TERMINALS, BOTTOM MOUNTING HOLES AND REAR KNOCKOUT.

All Dimensions in inches

ENCLOSURE COLOR : ANSI 61 GREY – OUTDOOR

CUSTOMER NOTES:

- HV TERMINATED AT #14 AWG LEAD WIRE
- LV TERMINATED AT #14 AWG LEAD WIRE



TITLE: 1 PHASE ENCAPSULATED TRANSFORMER

2	26/04/17	MS	UPDATED PER NEW DESIGN	DES: LCEN
1	21/07/13	PP	EDB UPDATE	DATE: 08/10/17
NO.	DATE	BY	REVISION	SCALE: NTS

SHEET 2 OF 2

EDBC1F002JES