

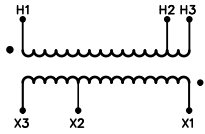


GENERAL
PURPOSE
TRANSFORMER
252L
E50394

GUELPH, ONT. BARABOO, WI COMPTON, CA MONTERREY, MX

COMMERCIAL POTTED DISTRIBUTION TRANSFORMER

HV/HT	277/480V			Cust. Ref. Réf. du client	
BIL	-			Serial No. No. de série	
TERM. BORNES	H1 H2 H3			Part No. No. de pièce	C1F002HRS
	VOLTS COURANT	CURRENT 7.5 4.3	% RATED VOLTAGE % TENSION NOMINALE	CONNECTION EACH PHASE CONNEXION PAR PHASE	Phase
	277 480			H1-H2 H1-H3	1
	208 277	9.6 7.2		X1-X2 X1-X3	kVA
LV/BT	277/208V			TYPE	Q
BIL	-			Cooling Refroidissement	ANC
TERM. BORNES	X3 X2 X1			Temp. Class Classe de Temp.	180 °C
				Frequency Fréquence	50/60Hz
				Impédance % ⊙ °C	
				Encl. Type Type de boîtier	3R
				Wt Poids	lbs/kg 51.7/23.5



ELECTROSTATIC SHIELD

400001344



TITLE: 1 PHASE ENCAPSULATED TRANSFORMER
NAMEPLATE INFORMATION

5	26/04/17	MS	UPDATED PER NEW DESIGN	DES: WWONG
4	21/11/24	LC	CHANGED NPL VER:	DATE: 08/12/05
NO.	DATE	BY	REVISION	SCALE: NTS

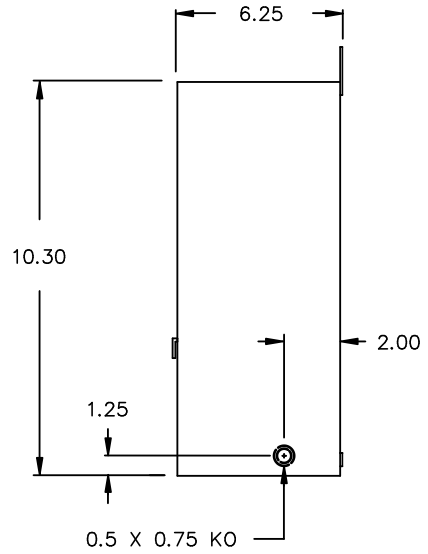
SHEET 1 OF 2

EDBC1F002HRS

FRONT VIEW



SIDE VIEW



FRONT & BOTTOM PANEL IS HINGED FOR ACCESS TO TERMINALS, BOTTOM MOUNTING HOLES AND REAR KNOCKOUT.

All Dimensions in inches

ENCLOSURE COLOR : ANSI 61 GREY – OUTDOOR

CUSTOMER NOTES:

- HV TERMINATED AT #14 AWG LEAD WIRE
- LV TERMINATED AT #14 AWG LEAD WIRE

THIS DRAWING CONTAINS STRICTLY CONFIDENTIAL INFORMATION BELONGING TO HAMMOND POWER SOLUTIONS AND MUST NOT BE DISTRIBUTED OUTSIDE AUTHORIZED PARTIES.



TITLE: 1 PHASE ENCAPSULATED TRANSFORMER

5	26/04/17	MS	UPDATED PER NEW DESIGN	DES: WWONG
4	21/11/24	LC	CHANGED NPL VER:	DATE: 08/12/05
NO.	DATE	BY	REVISION	SCALE: NTS

SHEET 2 OF 2

EDBC1F002HRS

5.0 httpd 2026/06/24 21:24