

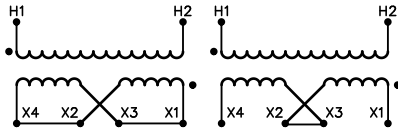


GENERAL PURPOSE TRANSFORMER 252L E50394

GUELPH, ONT. BARABOO, WI COMPTON, CA MONTERREY, MX

COMMERCIAL POTTED DISTRIBUTION TRANSFORMER

HV/HT	277V 7.5A			Cust. Ref. Réf. du client		
BIL	-			Serial No. No. de série		
TERM. BORNES	H1 H2			Part No. No. de pièce	C1F002CES	
	VOLTS	CURRENT COURANT	% RATED VOLTAGE % TENSION NOMINALE	CONNECTION EACH PHASE CONNEXION PAR PHASE	Phase	1
					kVA	2
					TYPE	Q
					Cooling Refroidissement	ANC
					Temp. Class Classe de Temp.	180 °C
					Frequency Fréquence	50/60Hz
					Impédance % ⊙ °C	
LV/BT	120/240V 16.7/8.3A			Encl. Type Type de boîtier	3R	
BIL	-			Wt Poids	lbs/kg	47.4/21.5
TERM. BORNES	X4 X2 X3 X1					



ELECTROSTATIC SHIELD

400001344



TITLE: 1 PHASE ENCAPSULATED TRANSFORMER  
NAMEPLATE INFORMATION

2	26/04/17	MS	UPDATED PER NEW DESIGN	DES: LCEN
1	21/07/13	PP	EDB UPDATE	DATE: 08/11/25
NO.	DATE	BY	REVISION	SCALE: NTS

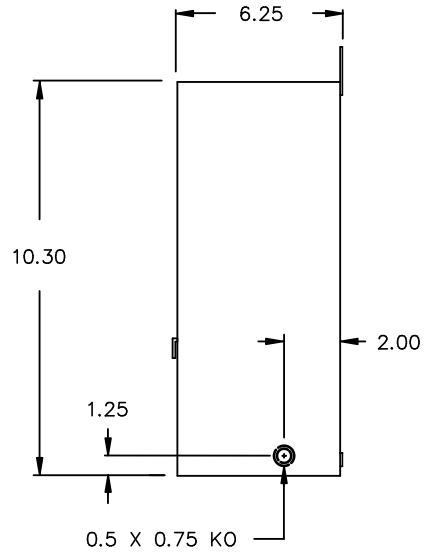
SHEET 1 OF 2

EDBC1F002CES

FRONT VIEW



SIDE VIEW



FRONT & BOTTOM PANEL IS HINGED FOR ACCESS TO TERMINALS, BOTTOM MOUNTING HOLES AND REAR KNOCKOUT.

All Dimensions in inches

ENCLOSURE COLOR : ANSI 61 GREY – OUTDOOR

CUSTOMER NOTES:

- HV TERMINATED AT #14 AWG LEAD WIRE
- LV TERMINATED AT #14 AWG LEAD WIRE

THIS DRAWING CONTAINS STRICTLY CONFIDENTIAL INFORMATION BELONGING TO HAMMOND POWER SOLUTIONS AND MUST NOT BE DISTRIBUTED OUTSIDE AUTHORIZED PARTIES.



TITLE: 1 PHASE ENCAPSULATED TRANSFORMER

2	26/04/17	MS	UPDATED PER NEW DESIGN	DES: LCEN
1	21/07/13	PP	EDB UPDATE	DATE: 08/11/25
NO.	DATE	BY	REVISION	SCALE: NTS

SHEET 2 OF 2

EDBC1F002CES

2.0 httpd 2026/06/24 21:19